



## Power supply unit type ZA-1



Power supply unit type ZA-1 is an electrical device designed for use in underground mining coal face pits in non-explosive hazard conditions or on the ground.

Power supply unit type ZA-1 is designed for connecting and switching on one receiver for the rated voltage of 12V DC. The device is equipped with power protection against short-circuits and overloads.

### TECHNICAL DATA:

ingress protection	IP54
rated power supply voltage (Ue1)	230V, 50 Hz
rated outlet voltage (Ue2)	12VDC
maximum rated drain current	6A
number of outlets	2
dimensions	600x400x270mm (H x W x D)
weight	15 kg

## CONSTRUCTION

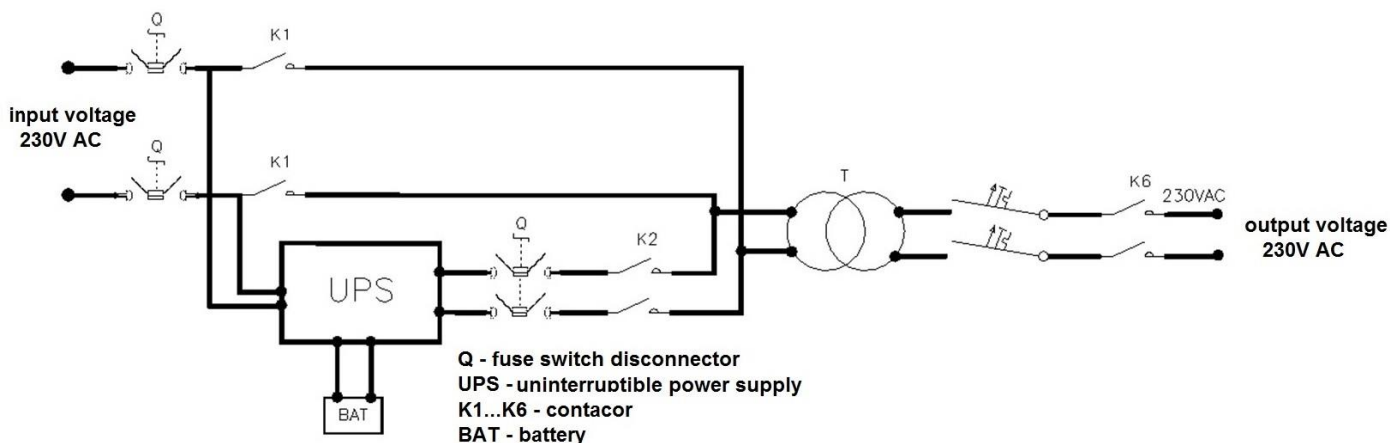
The power supply unit housing is made of steel sheet and comprises of a power supply and control compartment.

The device is set in a construction made of a square steel profile and the housing has got firings allowing for fixing. Protection against dripping water is provided by a metal roof.

## MODE OF OPERATION

The control outlet is made with the lever of fuse switch disconnecter on the face of the power supply unit. The device is adapted to work with input voltage 230V (in an IT network). Input circuit is equipped with power protection against short-circuits by fuses. Outlets are protected against short-circuits and overloads by miniature circuit breaker.

## SCHEMATIC DIAGRAM



Orders should be submitted in writing or by fax to the address:

 **Instal-Service PL**

Spółka z ograniczoną odpowiedzialnością  
Spółka komandytowa

58-506 Jelenia Góra, ul. Wrocławska 15a  
tel. (+48 075) 64-57-950  
fax. (+48 075) 64-57-951  
e-mai: instal@instal-service.pl